

AL-RC25-100

galley solutions
worldwide

Rice Cooker



Aerolux Limited Aircraft Galley Equipment Manufacturers
Chorley Road, Blackpool, Lancashire FY3 7XQ, England
Tel +44 (0)1253 396670 Fax +44 (0)1253 300074
Email info@aerolux.co.uk • sales@aerolux.co.uk
www.aerolux.co.uk



AL-RC25-100

- **Rice Cooker** is a self-contained worktop mounted unit designed for the preparation of rice or congee, also heating liquids i.e. soups (consommé).
- The unit is fully automatic.
- Made from aluminium body which is powder coated, insulated lid with Teflon coated replaceable internal bowl.
- Internal capacity is 1.8 litres (3.8 pts).



Characteristics

Power Supply 115/200 VAC 360-800 Hz Single Phase
Nominal AC Current 5.6 Amps
Recommended Circuit Breaker 7.5 Amps

Performance

Minimum Capacity 0.54 litres (1.14 pts)
Maximum Capacity 1.8 litres (3.8 pts)

Controls

ON/OFF control switch illuminates green when maintained to ON.
RICE mode selector switch illuminates white when selected.
CONGEE mode selector switch illuminates amber when selected.
SOUP selector available in the dash 3 variant in place of CONGEE mode.

Operational Range

Ambient Temperature 15-35°C (59-95°F)
Altitude 0 to 8000ft

Height (lid closed)	279mm (10.98")
Height (lid open)	520mm (20.47")
Width	300mm (11.8")
Depth	374mm (14.7")
Empty weight	6.6kg (14.6lbs)

Interface details

Electrical Connector 162GB16F168PE or 6026-16-08PE

Mounting Attachment 2 x mounting lug on C/L of outer case (base)

Documentation:

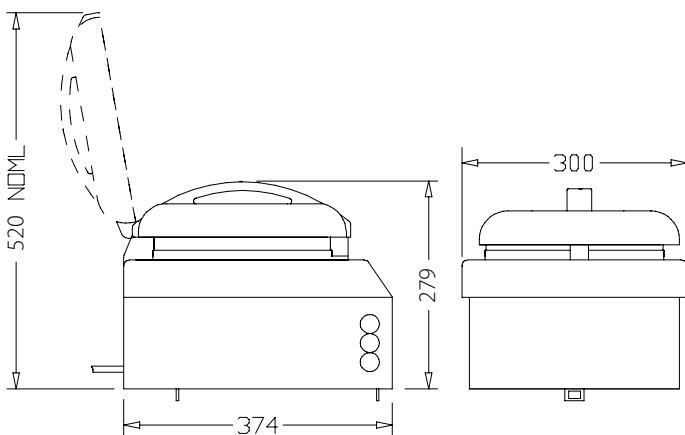
ATA / iSpec 2200 CMM

Release:

EASA Form 1 or Certificate of Conformity (COC)* model dependant

*EASA Form 1 can be provided by a DOA to POA Arrangement depending on commercial contract. Cost applicable.

Outline drawing



Electrical interface

	PIN OUT
Unused	A
Phase	B
Unused	C
Neutral	D
Unused	E
Unused	F
Ground	G
Ground	H

Caution: Do not use the information contained in this document to perform installation design as this data is subject to change.